

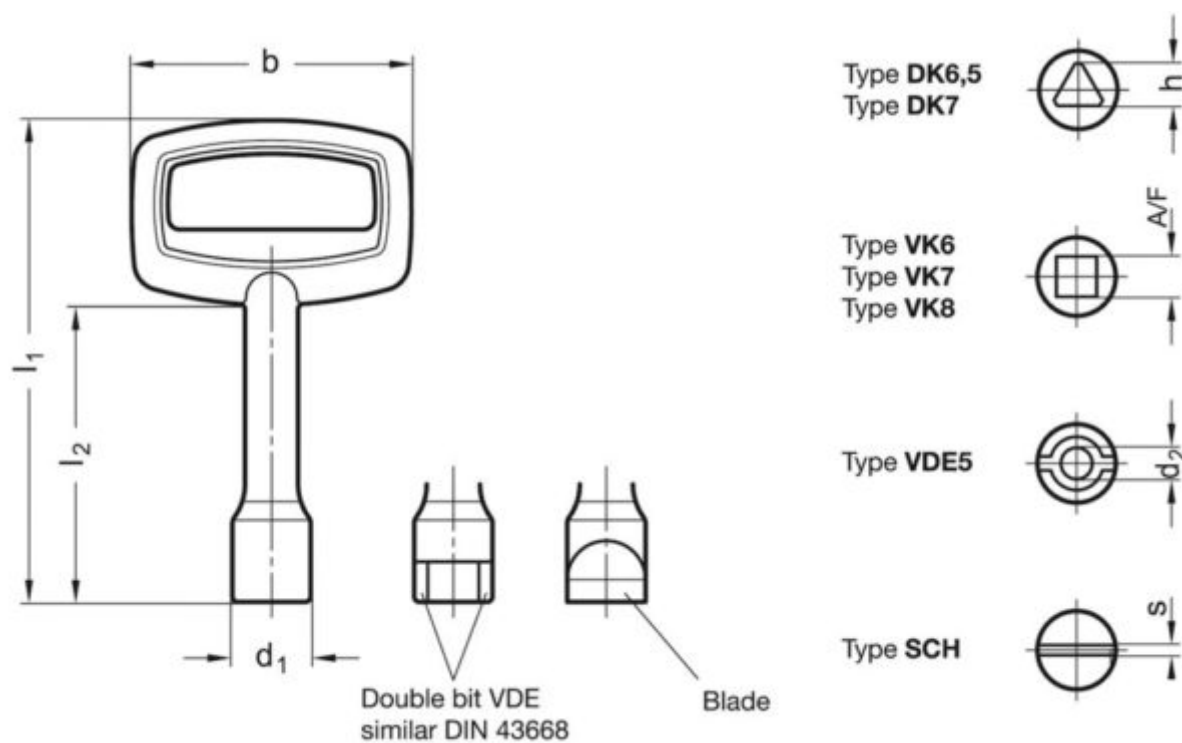
Data Sheet



Article number: 2091903

Description: E+G GN 119.2-86 Socket keys
VDE5 double bit, 5mm

Measures



$b = 50$
 $d_1 = 14$
 $d_2 = 5.6$
 $h = 7$
 $l_1 = 86$
 $l_2 = 53$
 $s = 1.8$